

T-swivel clamp mountings

Aluminium

SPECIFICATION

Types

- Type **A**: with bore
- Type **W**: with bolt

Aluminium

- matt, slide ground **MT**
- anodized black **ELS**

Bolt (Type W)

Steel zinc-plated, blue passivated

Grub screw DIN 913 (Type A)

Stainless Steel AISI 304

Grub screw DIN 915 (Type W)

Stainless Steel AISI 304

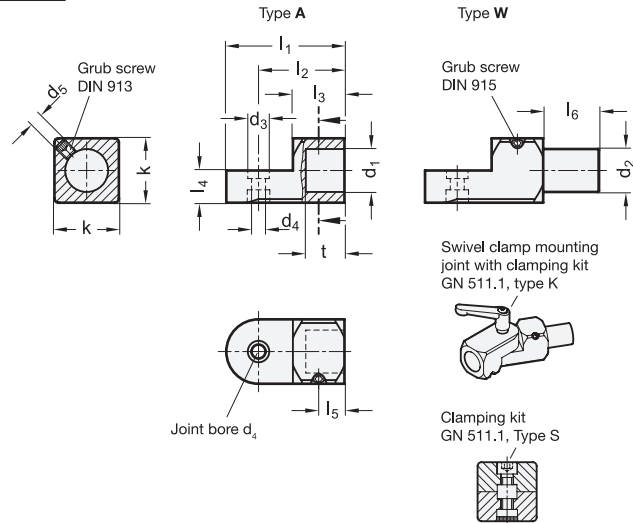


INFORMATION

T-Swivel clamp mountings GN 483 can be combined with swivel clamp mountings GN 482 (see page 1890) and attachment clamp mountings GN 484 (see page 1892) with the same k dimensions into articulated swivel clamp mounting joints. Clamping kits GN 511.1 (see page 1894) with screw, type S and adjustable hand lever, type K are available for this purpose (description see table of dimensions).

TECHNICAL INFORMATION

- Stainless Steel characteristics (see page A26)



* Complete with Finish of the T-Swivel clamp mountings (MT or ELS)

MT	ELS
matt, slide ground	anodized, black

GN 483

STAINLESS STEEL

Description	d1	d2	k	d3	d4	d5	l1	l2	l3	l4	l5	l6	t	Clamping kits for d4 Type S	Clamping kits for d3 Type K	⚖️
GN 483-B8-16-A-*	B 8	-	16	7	4.5	M 4	30	22	13	8	5.5	16	8	GN 511.1-M4-16-S	GN 511.1-M4-16-K	12
GN 483-B10-20-A-*	B 10	-	20	8.5	5.5	M 5	38	28	17	10	7	17	10	GN 511.1-M5-20-S	GN 511.1-M5-20-K	20
GN 483-B12-20-A-*	B 12	-	20	8.5	5.5	M 5	38	28	17	10	8	19	12	GN 511.1-M5-20-S	GN 511.1-M5-20-K	20
GN 483-B15-25-A-*	B 15	-	25	10	6.5	M 6	46	33.5	20	12.5	10	21	15	GN 511.1-M6-25-S	GN 511.1-M6-25-K	40
GN 483-B16-25-A-*	B 16	-	25	10	6.5	M 6	46	33.5	20	12.5	11	24	16	GN 511.1-M6-25-S	GN 511.1-M6-25-K	40
GN 483-B20-30-A-*	B 20	-	30	10	6.5	M 6	55	40	24	15	12	26	18	GN 511.1-M6-30-S	GN 511.1-M6-30-K	80
GN 483-8-16-W-*	-	8	16	7	4.5	M 4	30	22	13	8	5.5	16	8	GN 511.1-M4-16-S	GN 511.1-M4-16-K	20
GN 483-10-20-W-*	-	10	20	8.5	5.5	M 5	38	28	17	10	7	17	10	GN 511.1-M5-20-S	GN 511.1-M5-20-K	42
GN 483-12-20-W-*	-	12	20	8.5	5.5	M 5	38	28	17	10	8	19	12	GN 511.1-M5-20-S	GN 511.1-M5-20-K	51
GN 483-15-25-W-*	-	15	25	10	6.5	M 6	46	33.5	20	12.5	10	21	15	GN 511.1-M6-25-S	GN 511.1-M6-25-K	94
GN 483-16-25-W-*	-	16	25	10	6.5	M 6	46	33.5	20	12.5	11	24	16	GN 511.1-M6-25-S	GN 511.1-M6-25-K	106
GN 483-20-30-W-*	-	20	30	10	6.5	M 6	55	40	24	15	12	26	18	GN 511.1-M6-30-S	GN 511.1-M6-30-K	180

Weight ELS

